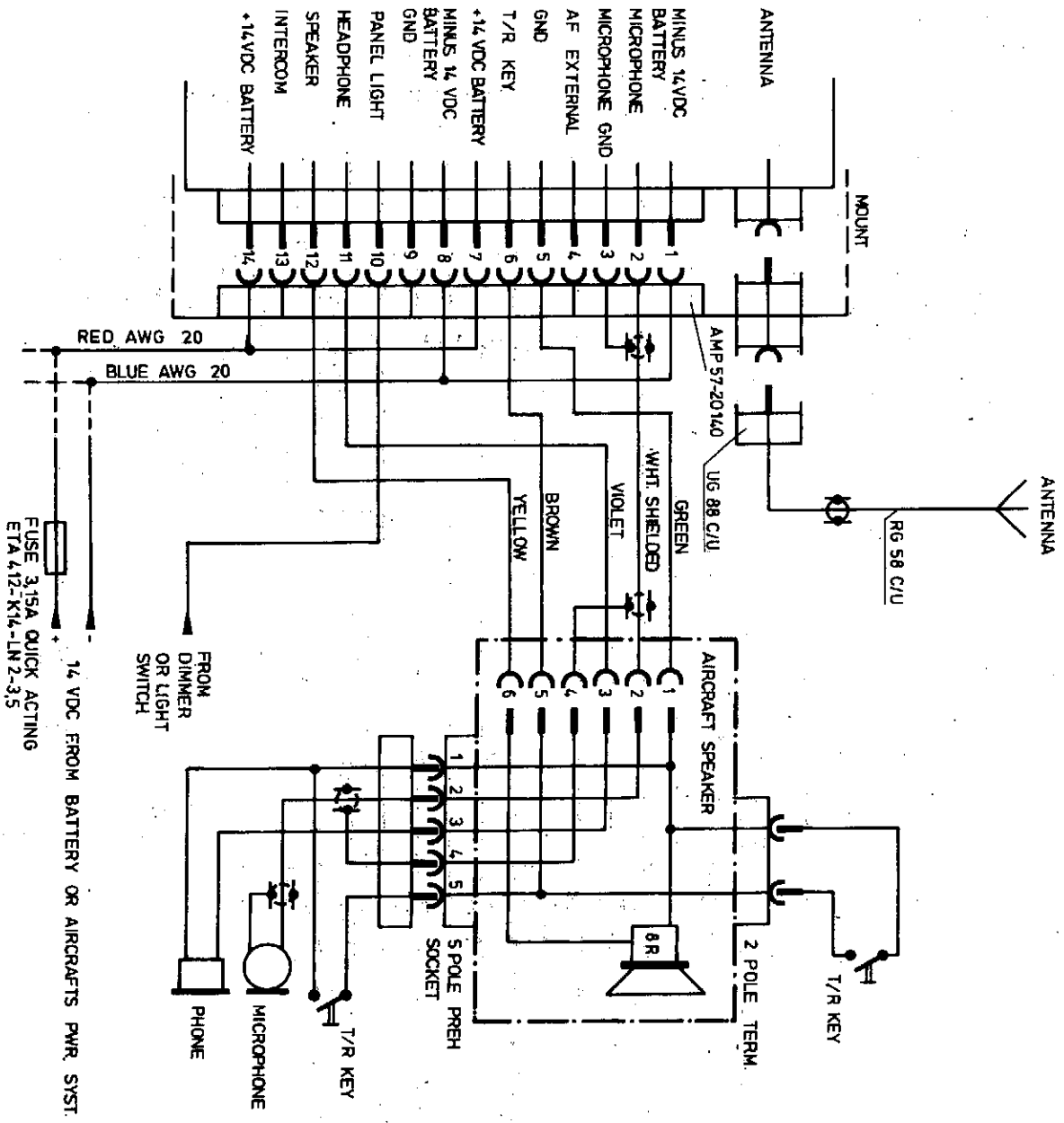


Fig. 3-8 FSG 50
On-board wiring with
Microphone/Loudspeaker
(1 Station only)



NOT INDICATED WIRING CROSS SECTION = AWG 22

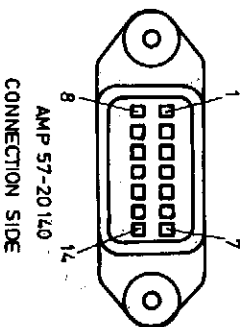
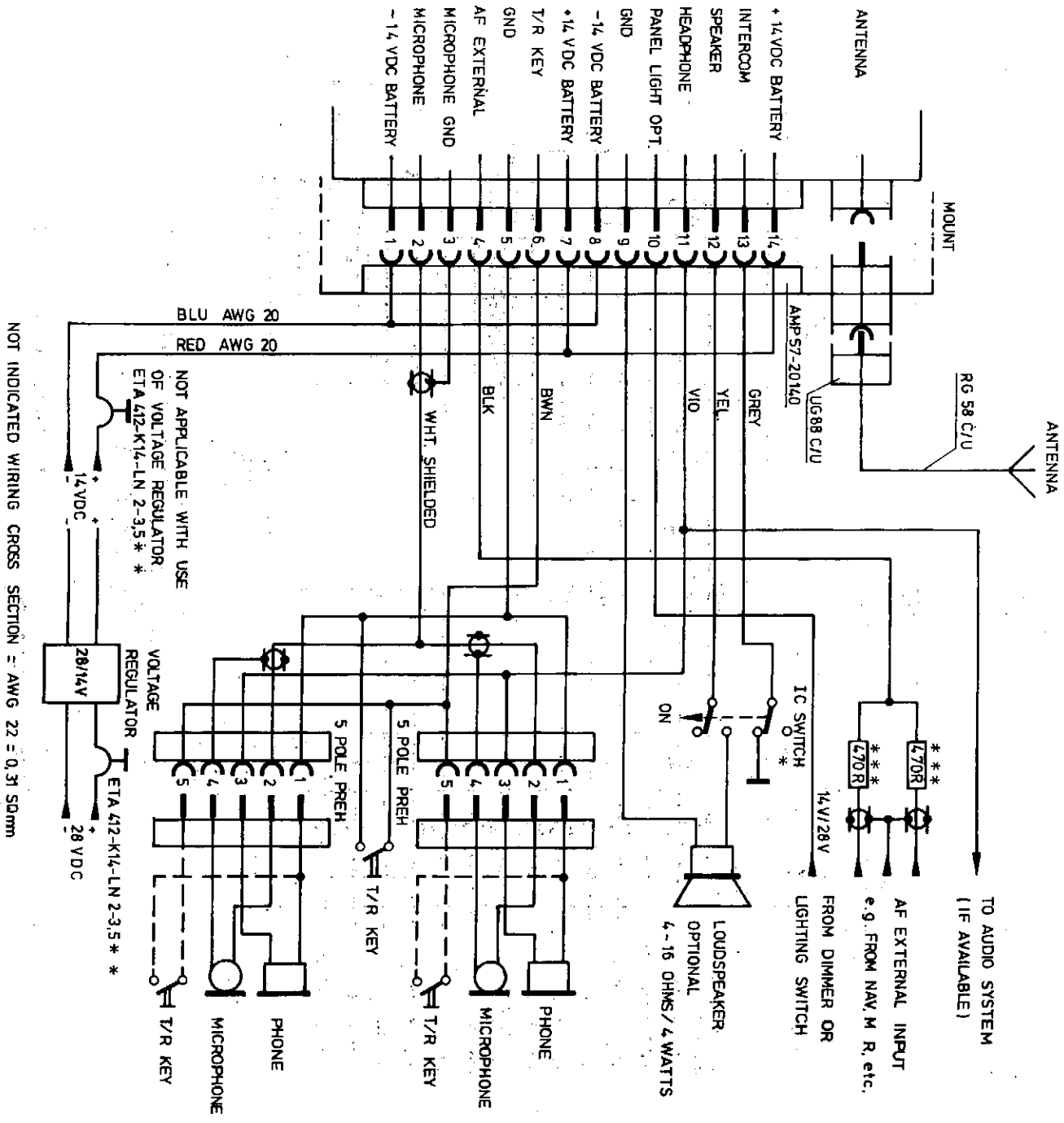


Fig. 3-9 FSG 50
On-board wiring
(1 Station)



- * WIRING WITHOUT IC MODE: LOUDSPEAKER DIRECT TO PINS 9 AND 12
- ** OR FUSE 3.15 AMPS QUICK-ACTING
- *** ISOLATION RESISTORS WHEN MORE THAN ONE AF SOURCE

Fig. 3-10 FSG 50
On-board wiring
(2 Stations)