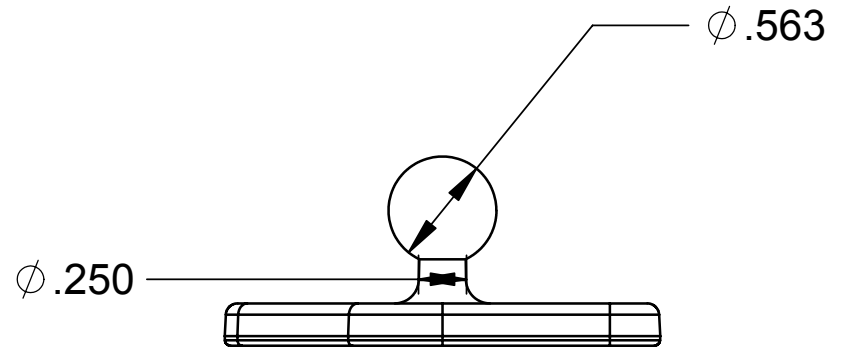
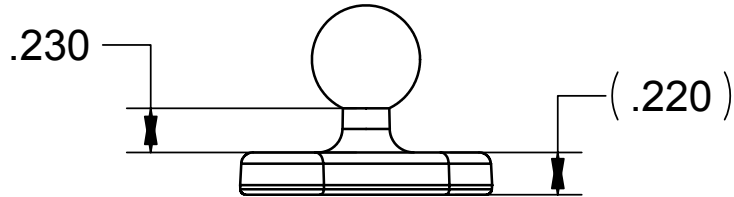
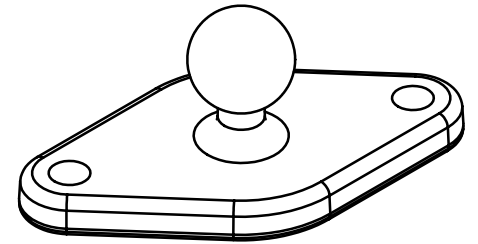
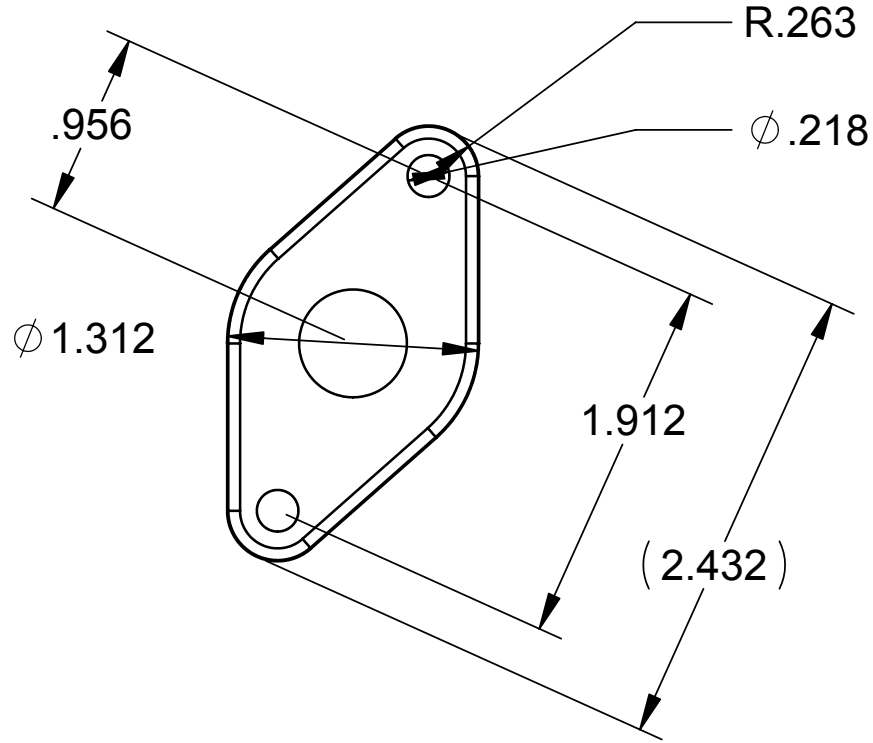


THE INFORMATION CONTAINED IN THIS DRAWING IS THE SOLE PROPERTY OF NATIONAL PRODUCTS INC. ANY REPRODUCTION IN PART OR WHOLE WITHOUT THE WRITTEN PERMISSION OF NATIONAL PRODUCTS INC. IS PROHIBITED.



UNLESS OTHERWISE SPECIFIED DIMENSIONS ARE IN INCHES TOLERANCES ARE: FRACTIONS DECIMALS ANGLES +- 1/32 .XX+-.03 +- 1 DEG. .XXX+-.010	CAD GENERATED DRAWING. DO NOT MANUALLY UPDATE		NATIONAL PRODUCTS INC. 1017 S. ELMGROVE ST. SEATTLE, WA 98108	
	APPROVALS	DATE	RAM DIAMOND BASE WITH 9/16" BALL	
	DRAWN JDC	03/23/00		
	CHECKED CMR	04/20/01		
MATERIAL ALUMINUM	RESP ENG	SIZE A DWG. NO. RAM-A-238 REV.		
FINISH BLACK POWDER COAT	MFG ENG	SCALE CAD FILE: RAMA238 SHEET 1 OF 1		
DO NOT SCALE DRAWING	QUAL ENG			